



California Faucets®

Decorative Grab Bar

COINED END WITH ROUNDED SQUARE HEX BASE

Features

- All brass construction
- 1-1/4" diameter bar
- Concealed mounting
- Mounting hardware included



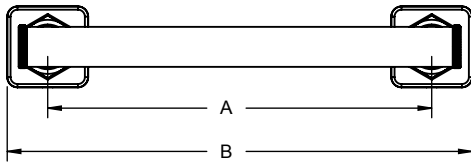
9412D-85
9418D-85
9424D-85
9430D-85
9436D-85
9442D-85
9448D-85

Codes/Standards Applicable

Product meets or exceeds the following:

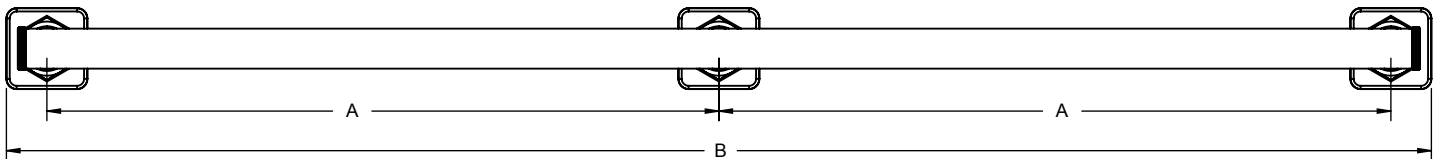
- ADA compliant

9418D-85 SHOWN

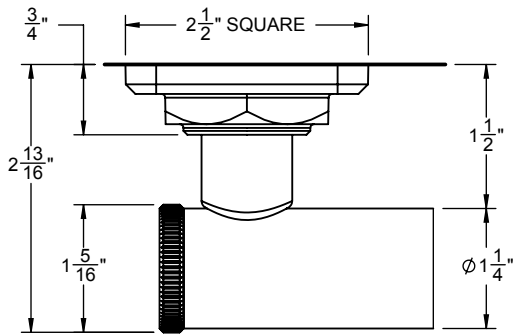


FRONT VIEW
(2 POST)

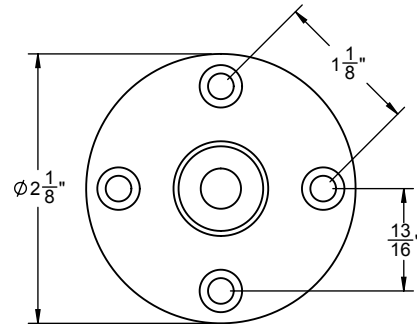
| | DECORATIVE GRAB BAR | DIM. A | DIM. B |
|--------|---------------------|--------|--------------------|
| 2 POST | 9412D-85 | 12" | 14 $\frac{1}{2}$ " |
| | 9418D-85 | 18" | 20 $\frac{1}{2}$ " |
| | 9424D-85 | 24" | 26 $\frac{1}{2}$ " |
| | 9430D-85 | 30" | 32 $\frac{1}{2}$ " |
| | 9436D-85 | 36" | 38 $\frac{1}{2}$ " |
| 3 POST | 9442D-85 | 21" | 44 $\frac{1}{2}$ " |
| | 9448D-85 | 24" | 50 $\frac{1}{2}$ " |



FRONT VIEW
(3 POST)



TOP VIEW



WALL MOUNT FLANGE

- (8X) - 2 POST GRAB BAR
 #8 X 1-3/4" PHILLIPS HEAD SCREW
- (12X) - 3 POST GRAB BAR
 #8 X 1-3/4" PHILLIPS HEAD SCREW

SPECIFICATIONS SUBJECT TO CHANGE WITHOUT NOTICE

ALL DIMENSIONS SHOWN TO NEAREST 1/16"